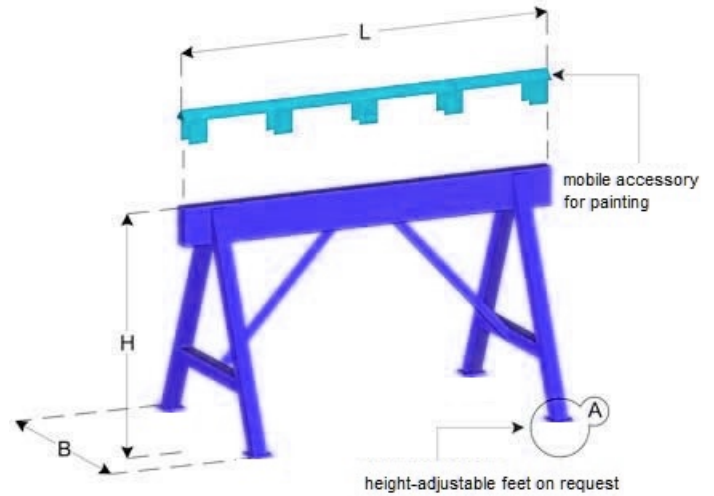
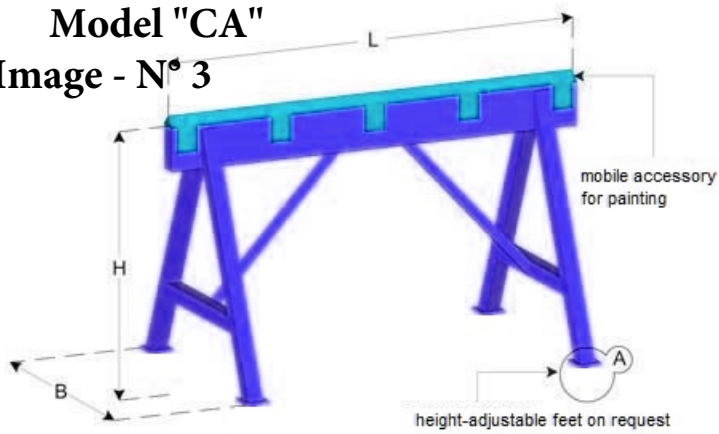


Manufacturer of Builders Trestles, steel work trestles. European certificate for trestles

On request we offer different sizes, capacities, support bracket. The violet accessory with triangle shape is optional and is used for the coating, either in wood or rubber.

Model "CA"

Image - N° 3



Trestles: You can have them in stainless steel. Standard RAL color 1028 (yellow)

MODEL	L	B	H	MAX CAPACITY	WEIGHT
CA	Width mm	Distance foot mm	Height mm	Steel trestle	Steel trestle
CA 05	1200	800	900	500 Kg	26 Kg
CA 1	1500	800	900	1000 Kg	29 Kg
CA 2	1500	800	900	2000 Kg	32 Kg
CA 5	1500	800	900	5000 Kg	
	1500	600	1050	5000 kg	
	2000	600	1050	5000kg	

CP4 / CP5:

L 2000/1500 mm x H 1050 mm

x B 600 mm

OPTION WITH UP AND DOWN WHEELS - RUBBER SUPPORT



Model "CP" - Image - N° 4

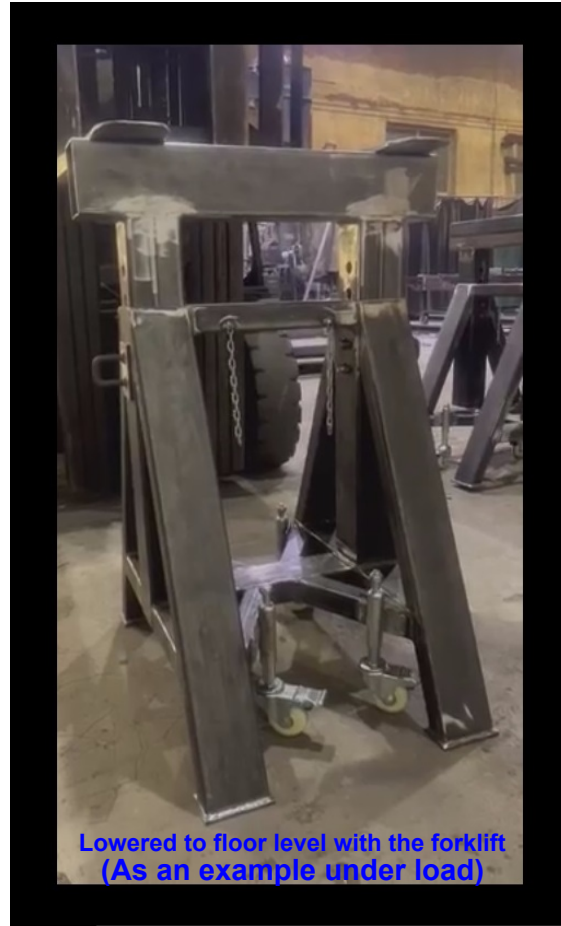


Models with height-adjustable support

MODEL	L	B	H	MAX CAPACITY	WEIGHT
CP	Width mm	Distance foot mm	Height mm	Steel trestle	Steel trestle
CP 0,2	700/2000	500/1000	650/1400	200 Kg	
CP 0,5	700/2000	800	650/1400	500 Kg	
CP 1	700/2000	800	650/1400	1000 Kg	
CP 2	700/2000	800	650/1400	2000 Kg	
CP 3	700/2000	800	650/1400	3000 Kg	
CP 5	700/2000	800	650/1400	5000 Kg	
CP 7	700/2000	600/1000	650/1400	7000 Kg	
CP10/20	700/2000	600/1000	650/1400	10000/20000 Kg	

Modell "CP" - Bild - N° 5

Modelle mit höhenverstellbarer Stütze mit Federräder mit Bremse



Models with height-adjustable support with spring wheels with brake

MODEL	L	B	H	MAX CAPACITY	WEIGHT
CP	Width mm	Distance foot mm	Height mm	Steel trestle	Steel trestle
CP 0,2	700/2000	500/1000	650/1400	200 Kg	
CP 0,5	700/2000	800	650/1400	500 Kg	
CP 1	700/2000	800	650/1400	1000 Kg	
CP 2	700/2000	800	650/1400	2000 Kg	
CP 3	700/2000	800	650/1400	3000 Kg	
CP 5	700/2000	800	650/1400	5000 Kg	
CP 7	700/2000	600/1000	650/1400	7000 Kg	
CP10/20	700/2000	600/1000	650/1400	10000/20000 Kg	

Models with height-adjustable support from 900 mm to 1400 mm

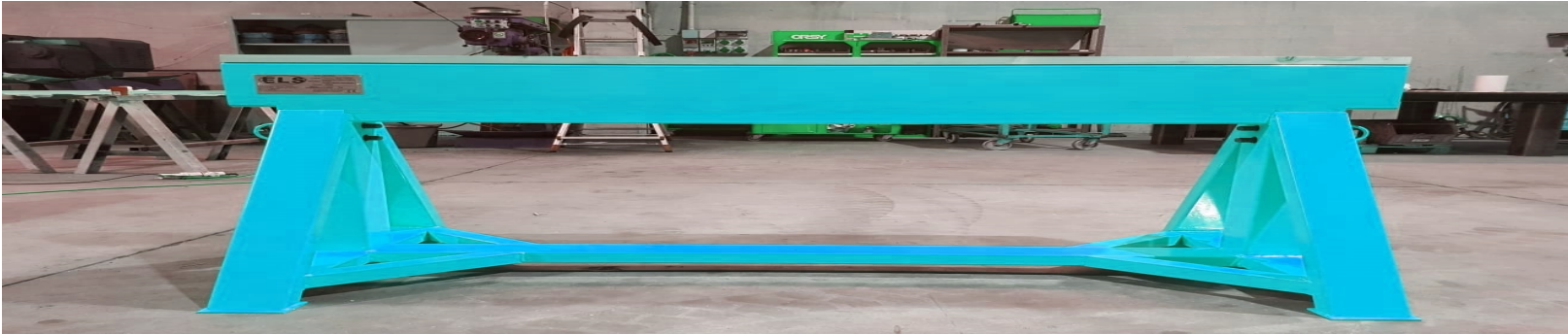
Models with height-adjustable support from 650 mm to 1000 mm

Customised models with a maximum length of 2000 mm are also possible.

Or customised 3-leg models with a maximum length of up to 3000 mm Mobile options with 4 wheels

Options mobile with 4 wheels with 4 wheels, with brake or without brake. Options with wood, rubber, iron, as material base.

Model "CP20 Ton" - Image - N° 8
Including wheels for moving
Trestle not under load



MODEL	L	B	H	MAX	WEIGHT
CP20	Width mm	Distance foot mm	Height mm	CAPACITY Steel trestle	Steel trestle
	1500/1800/2000	600/800/900	600/800/900	20000 Kg	150 Kg

**CP20 "OPTION WITH UP AND DOWN WHEELS - RUBBER
SUPPORT - CAPACITY 20000 KG**



You can see these models in the catalog below. The 2000 mm length remains unchanged. The height can be between 900 mm / 1000 mm / 1100 mm / 1200 mm / 1400 mm with a capacity of 1000 kg to 10000 kg.

MODEL	L	B	H	MAX CAPACITY	WEIGHT
CP	Width mm	Distance foot mm	Height mm	Steel trestle	Steel trestle
CP 2	2000	600/1000	900/1400	2000/10000 Kg	26 Kg
CP 3	2000	600/1105	900/1400	3000/10000 Kg	29 Kg
CP 4	2000	600/1210	900/1400	4000/10000 Kg	32 Kg
CP 5	2000	600/1315	900/1400	5000/10000 Kg	50 Kg
CP 7	2000	600/1421	900/1400	7000/10000 Kg	78 Kg
CP 10	2000	600/1523	900/1400	10000 Kg	82 Kg
CP 2000	2000	600/ 1500	2000	7000/10000 Kg	200

MODEL	L	B	H	MAX CAPACITY	WEIGHT
CK	Width mm	Distance foot mm	Height mm	Steel trestle	Steel trestle
CK 0,2	2000	1000	900/1400	200/10000 Kg	25 Kg
CK 0,5	2000	1105	900/1400	500/10000 Kg	26 Kg
CK 2	2000	1210	900/1400	2000/10000 Kg	29 Kg
CK 3	2000	1315	900/1400	3000/10000 Kg	32 Kg
CK 4	2000	1421	900/1400	4000/10000 Kg	47 Kg
CK 5	2000	1523	900/1400	5000/10000 Kg	50 Kg
CK 7	2000	1421	900/1400	7000/10000 Kg	78 Kg
CK 10	2000	1523	900/1400	10000 Kg	82 Kg



Model "CA"
Image - N° 2



Model "CP" With rubber support
Image - N° 3



Model "CPF" - Image - N° 4



Model "CP" - Image - N° 5



MODEL CP

On request with wooden support



MODEL CP

On request with wooden support



MODEL - CP



MODEL - CP



MODEL - CKA Image 9



Options on request

"OPTION WITH RUBBER SUPPORT - WITH UP AND DOWN WHEELS - CP5 Trestles - 5000 kg support material width 100 mm (with rubber on the platform)

Length 1500/1800 mm x adjustable height 900-1400 mm x width/legs 800 mm

Adjustable height 900-1400mm

within 8/9 weeks as we make custom items to order.

CP5: Glossy powder coating RAL 1028.

CE certificate.

CE marking.

